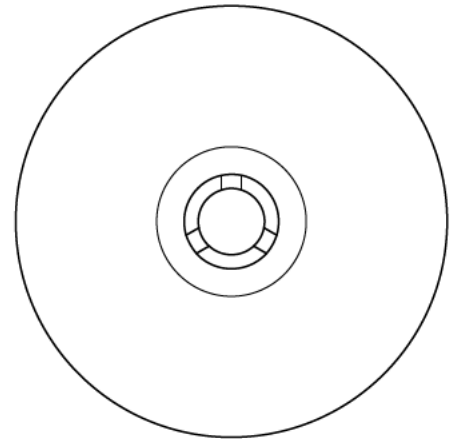
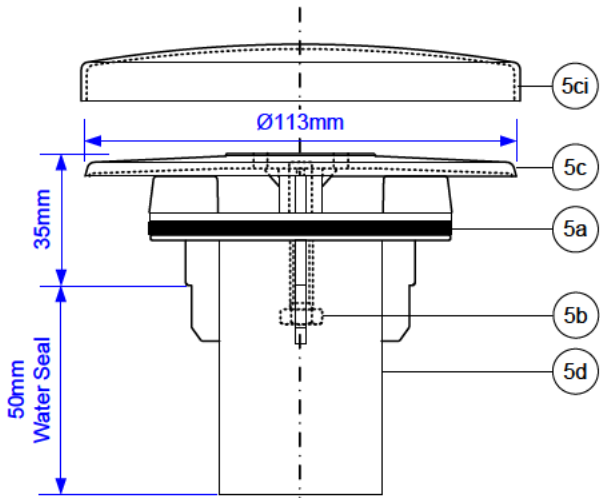
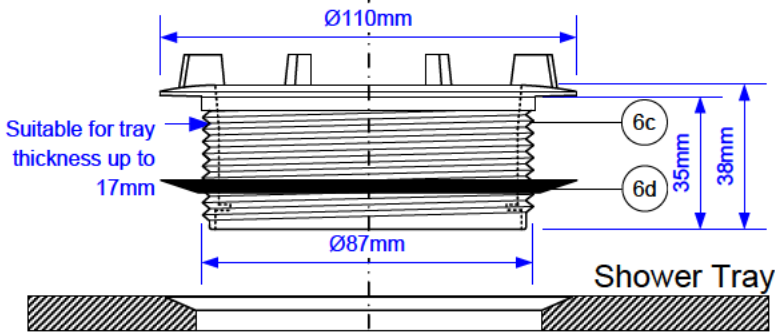
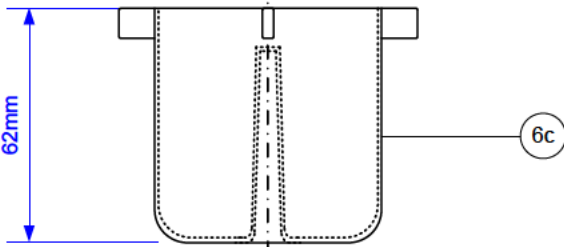


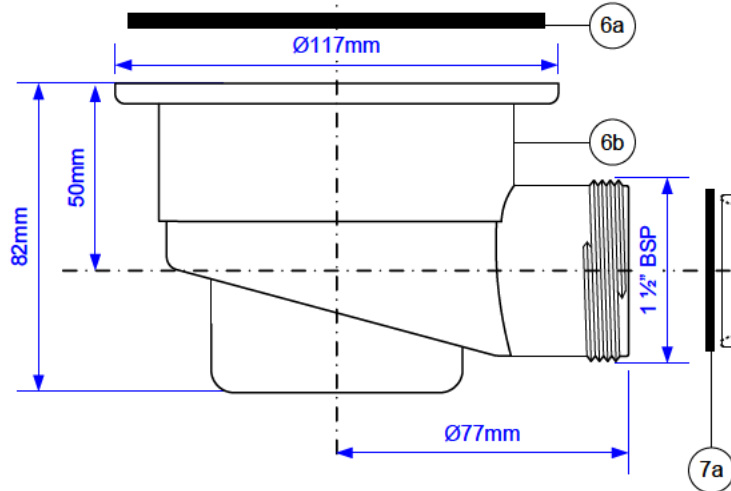
**Shower Waste 82mm High 27L 50mm Water Seal CP Grid With
34mm Long Waste (8 TPI)**



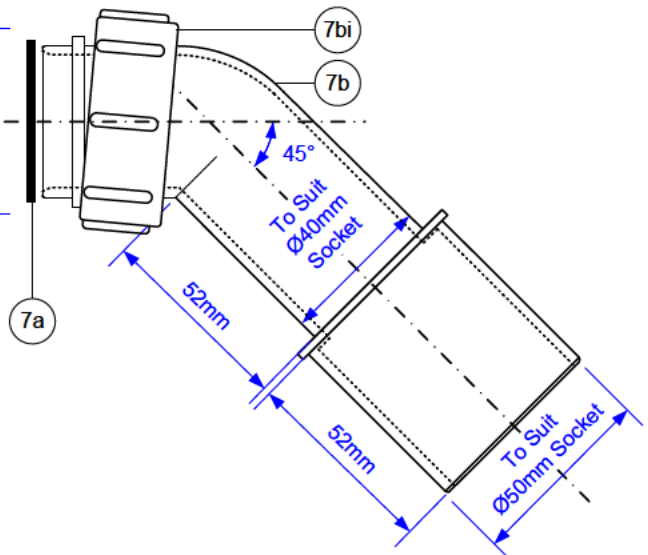
CP Plastic Grid



Shower Tray



Part No.	Description
1	Leaflet (Not Shown)
2	Carton (Not Shown)
3	Carton (Not Shown)
4	Label (Not Shown)
5	Top and Dip Tube Assembly
a	Nitrile Rubber Seal
b	M6x20 S.S. Hex Bolt
c	Ø113mm CP ABS Shower Grid
i	LDPE Protective Cover for item 5c
d	P.P. Dip Tube
6	Trap Body Sub-assembly
a	Nitrile Rubber Basket Waste Seal
b	82mm tall Trap Body, 50mm Seal
c	P.P Cup & Ø110x87 Waste Flange
d	Nitrile Rubber Washer
7	Ø40/50 Plain Tail Bend Sub-assembly
a	1 ½" Rubber Seal
b	Ø40/50mm Plain Tail Outlet Bend
i	1 ½" Loose Nut



Water Seal: 50mm