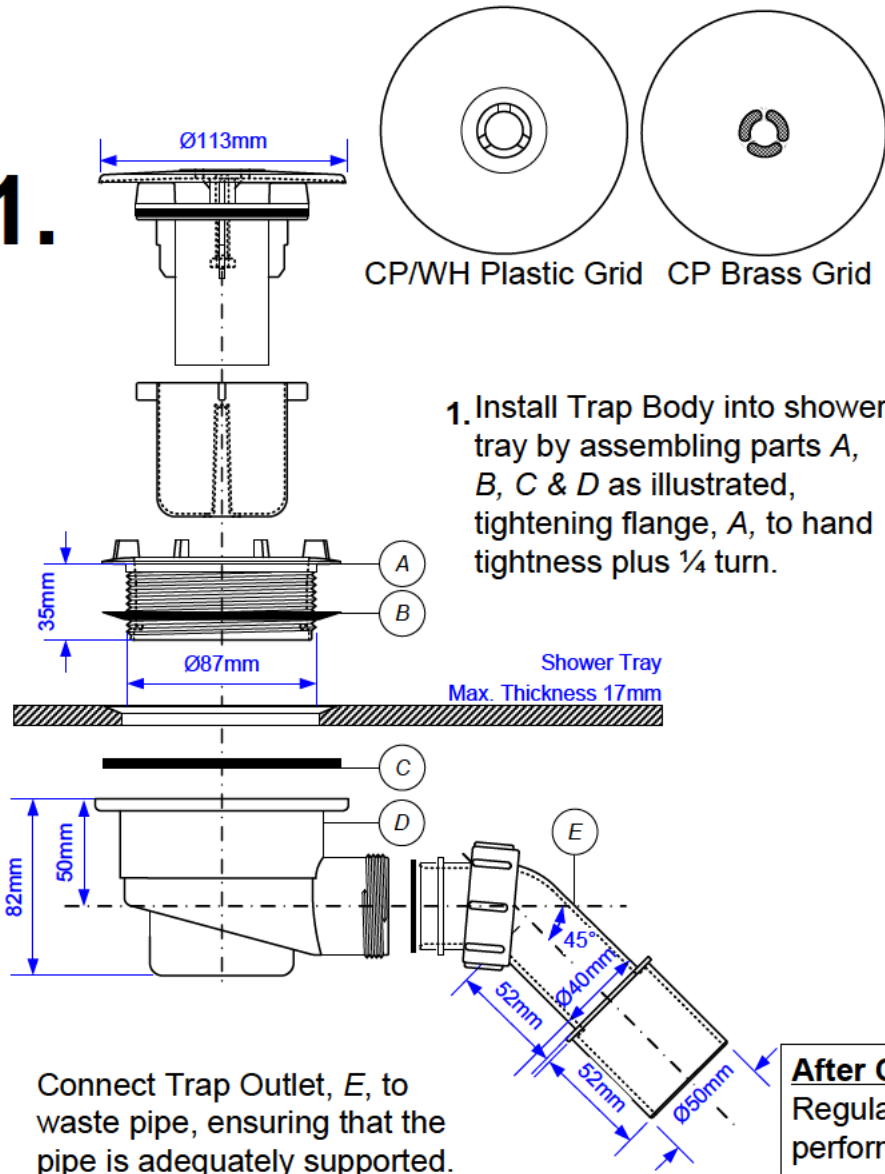
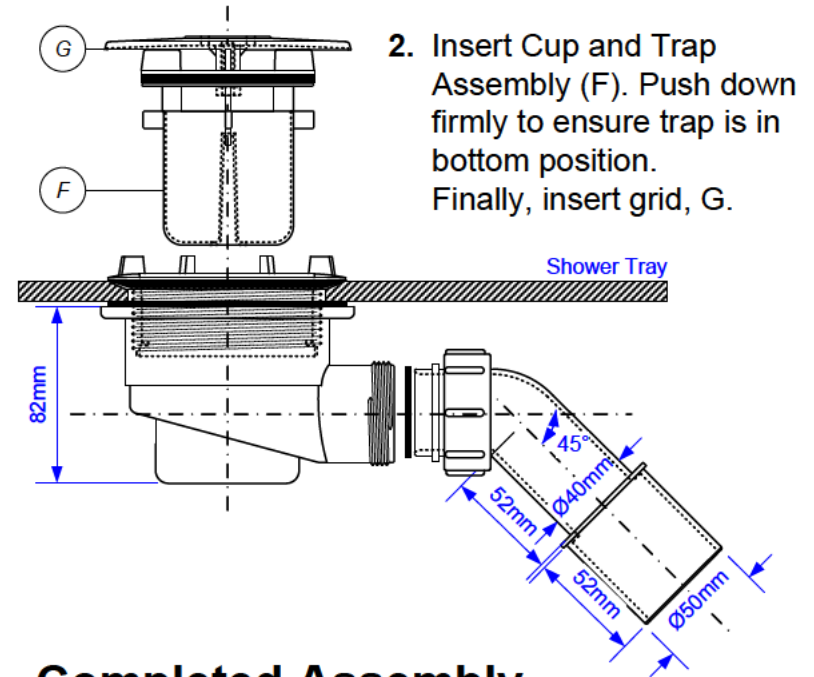


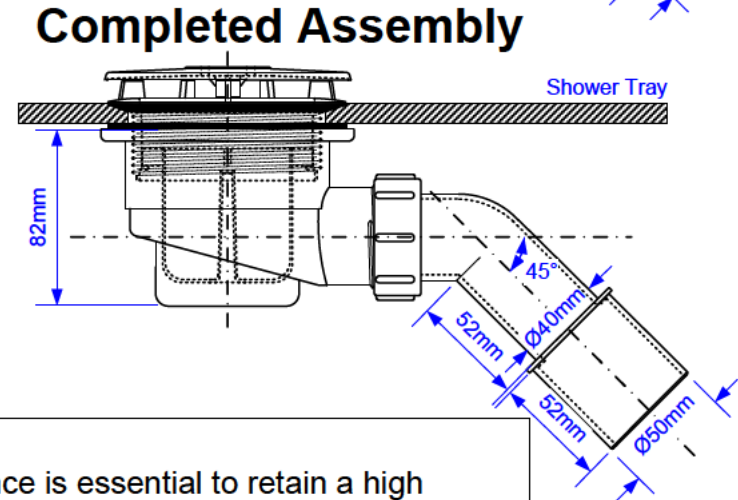
1.



2.



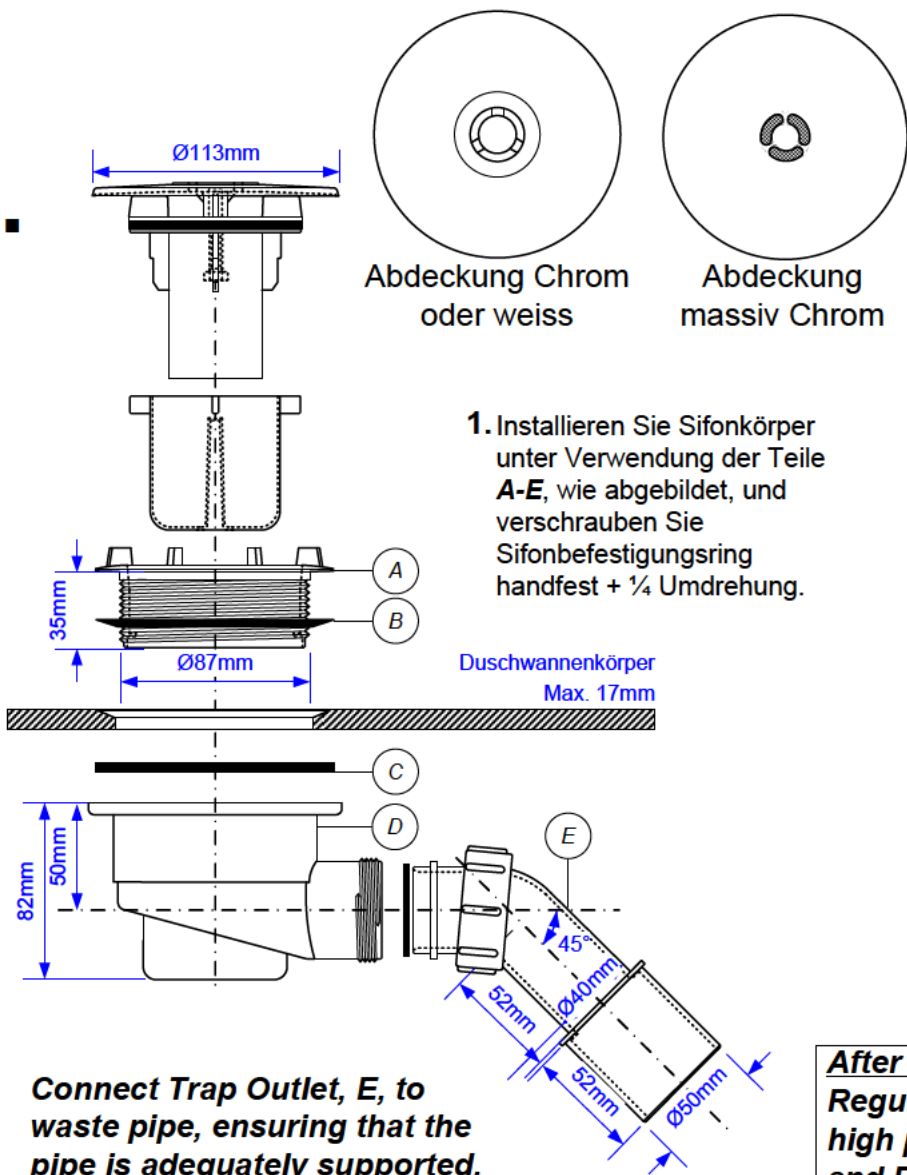
3.



After Care:

Regular maintenance is essential to retain a high performance flow rate. Remove the Grid, D, and Dip Tube, E, and thoroughly clean all the parts. Flush through the Trap Body with clean water and carefully replace the parts.

1.

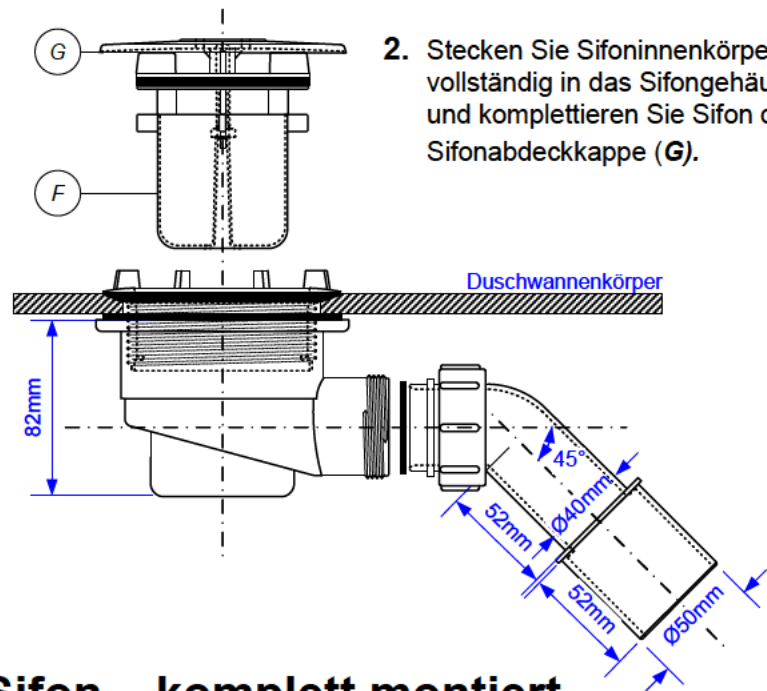


1. Installieren Sie Sifonkörper unter Verwendung der Teile **A-E**, wie abgebildet, und verschrauben Sie Sifonbefestigungsring handfest + ¼ Umdrehung.

Duschwannenkörper
Max. 17mm

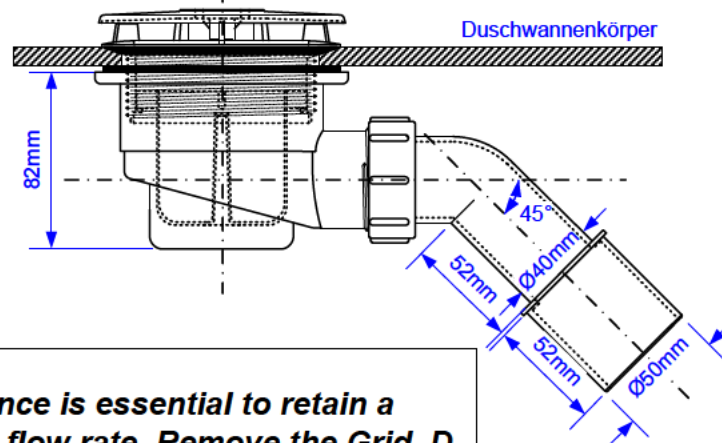
Connect Trap Outlet, E, to waste pipe, ensuring that the pipe is adequately supported. Test the installation.

2.



2. Stecken Sie Sifoninnenkörper (F) vollständig in das Sifongehäuse und komplettieren Sie Sifon durch Sifonabdeckkappe (G).

3. Sifon – komplett montiert



After Care:

Regular maintenance is essential to retain a high performance flow rate. Remove the Grid, D, and Dip Tube, E, and thoroughly clean all the parts. Flush through the Trap Body with clean water and carefully replace the parts.